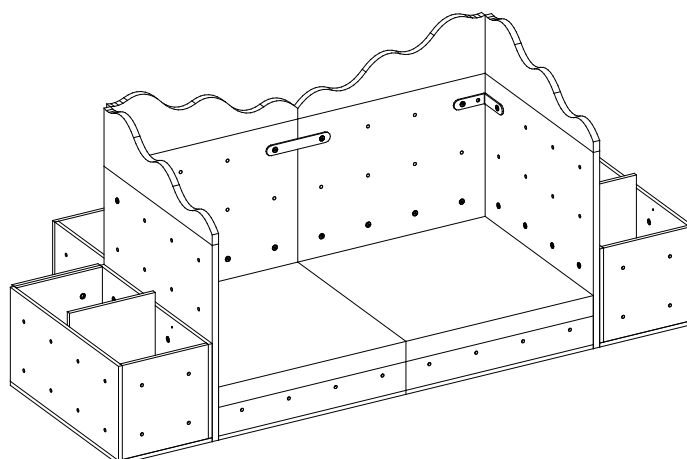
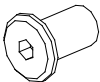
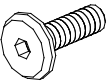
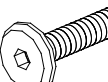

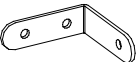
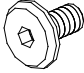


Montageanleitung

Kids Case Kombination 10



Beschlagset
Nr. 9601133

 <p>1 M 6x15</p>	 <p>2 M6x20</p>	 <p>3 M6x30</p>
 <p>4 200x30</p>	 <p>5 100x30</p>	 <p>6 M 6x12</p>

