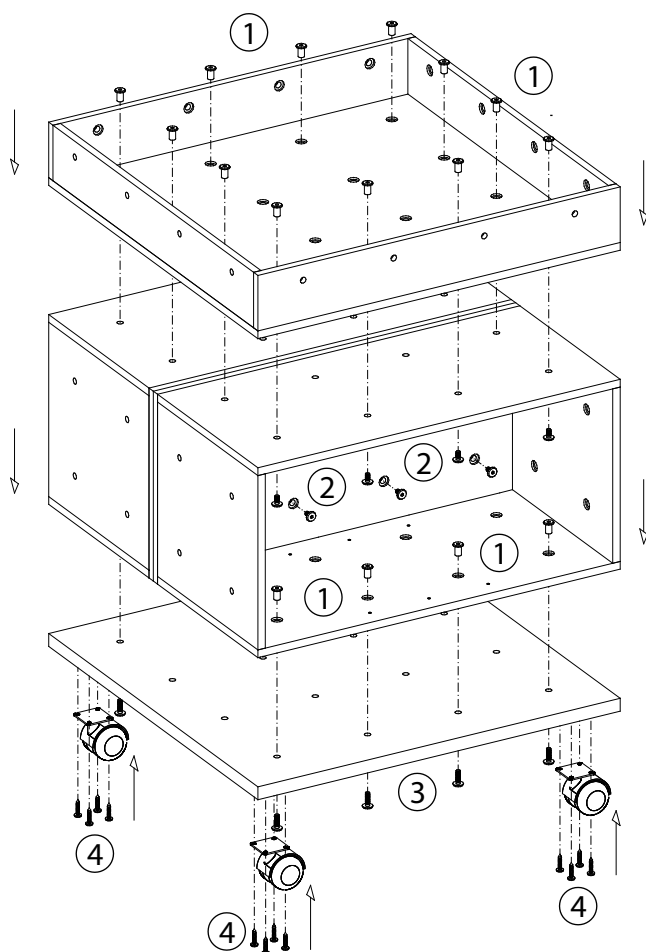
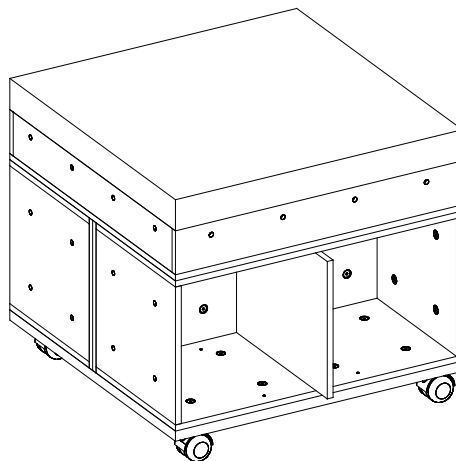
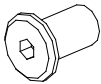
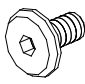
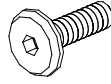
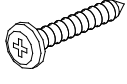


Montageanleitung

Kids Case Kombination 12



Beschlagset
Nr. 9601135

| | |
|---|---|
|  | 1 |
| M 6x15 | |
|  | 2 |
| M 6x12 | |
|  | 3 |
| M 6x20 | |
|  | 4 |
| 4x20 | |

